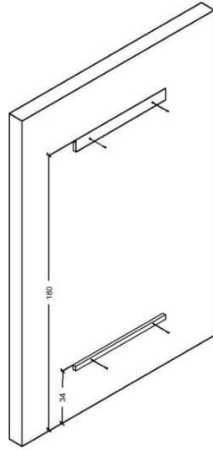
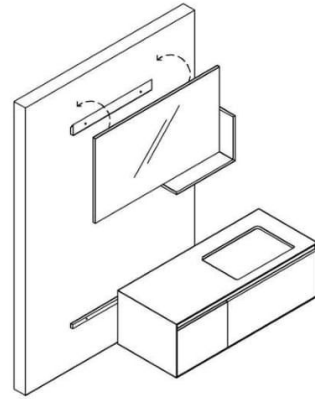


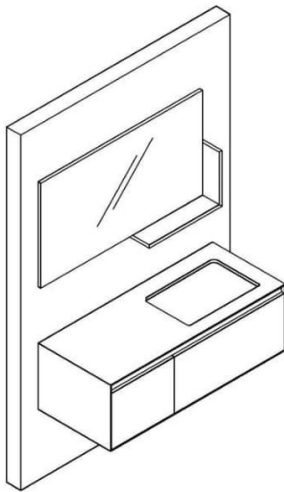
1. Carrier is mounted on the wall with specified dimension.



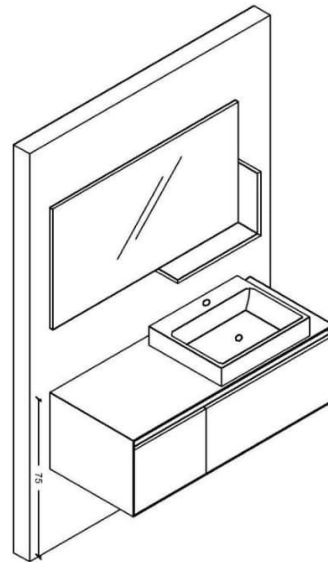
2 Hang the upper unit and sink cabinet.



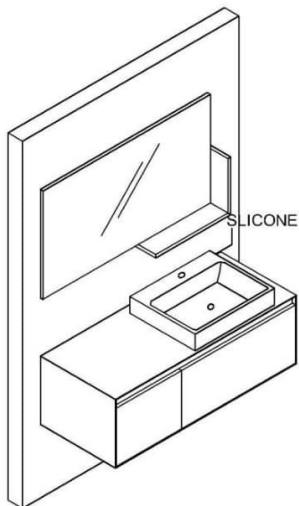
3. Place the cabinet to wall as balanced. Install the iron hanger to the wall and cabinet to make the cabinet fix.



4. Get the countertop and place it on the cabinet.



5. Fill up silicon between the bench and wall



# CARNAVALE INSTALLATION

